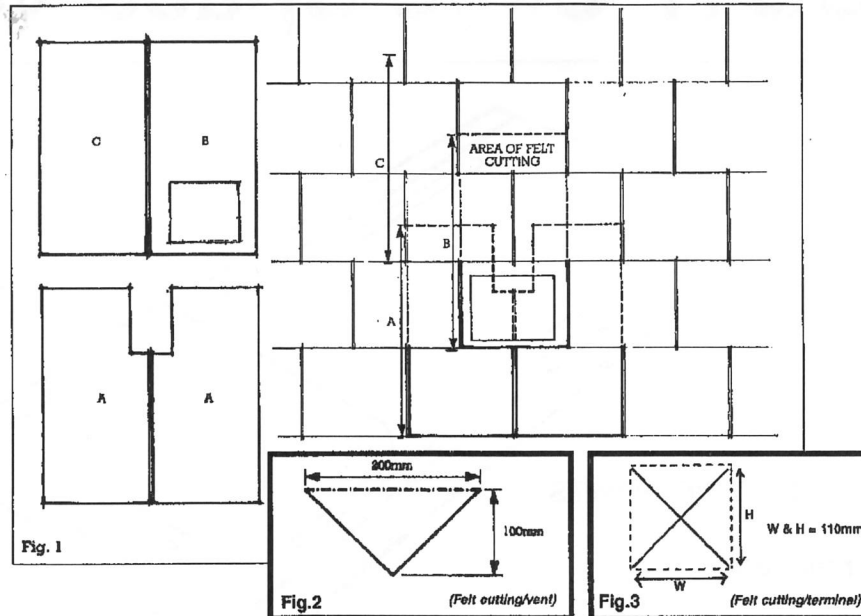


UB17 SlateVent Fixing Instruction



New Build

1. Slating and Preparation

Complete slating to the point where the SlateVent is to be located. For 500 x 250 installation - trim SlateVent to size using guide lines.

2. Cutting of Felt/Sarking/Boarding

(a) Cut sarking felt in the shape of a 'V' (figure 2) immediately below the batten keeping it above the hole in the underside of the vent.

(b) Fold the felt flap over the batten at the top of the hole and tack in position.

With rigid sarking or boarding, a hole must now be cut to the size of the aperture through the felt to allow air to reach the roof void.

3. Cutting of Slates

Two slates to be cut at top corner (one left and one right) in row A.

600 x 300 cut 225 x 65mm

500 x 250 cut 170 x 65mm

4. Positioning of SlateVent

Place SlateVent in position and fix using slate manufacturers fixings or with roofing nails to the batten through the fixing points at the sides of the unit. Fix copper roofing nail through the predrilled hole in the centre bottom on the skirt.

5. Complete Slating and Dressing Over SlateVent

Complete slating in the normal way.

Existing Build

1. Preparation

Remove one slate in row B where vent is to be positioned and two slates in row C. Cut exposed slates in row A as at 3.

2. Cutting of Felt/Sarking/Boarding

As 2 (a) & (b).

3. Positioning Unit

As 4.

4. Completion of Reslating and Dressing Over SlateVent

Replace two slates in row C.

Where regular fixing points cannot be used - slate straps should be fixed and copper nails replaced as necessary.

Conversion - UB17 Vent to UB43 Terminal

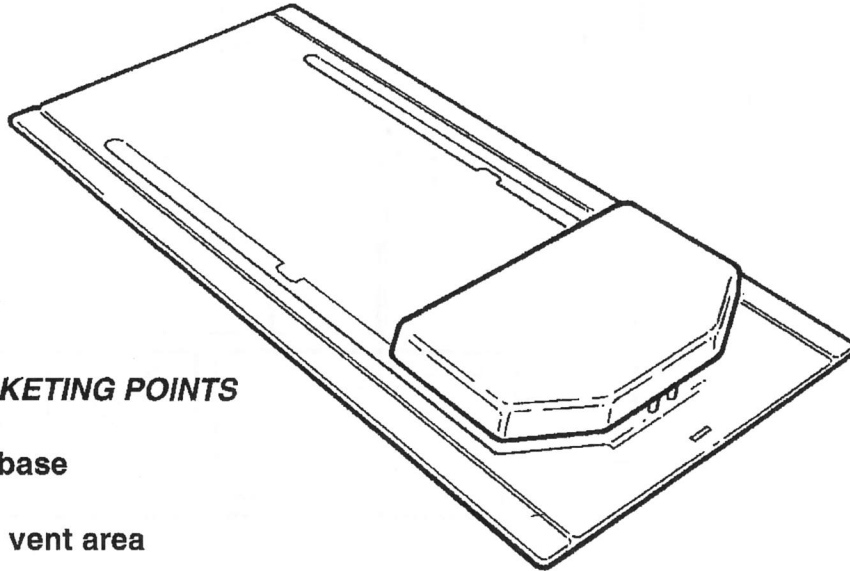
NB. Adaptor must be fitted before installation.

To convert a UB17 vent to a terminal- push fit adaptor (no. 40294 390) to underside of vent. Install by trimming and fixing slates as above. Cut felt/boarding with X cut, as Figure 3 to allow for penetration of pipe & ensure tabs are pulled upwards. In some instances, it may be necessary to trim the batten.



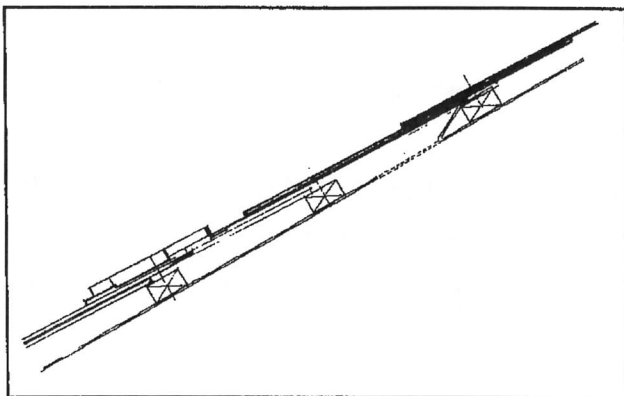
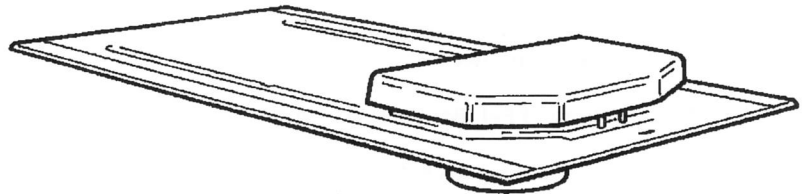
ubbink

UB17 Slate Space Vent



KEY MARKETING POINTS

- Universal base
- Large free vent area
- Made from durable UV stabilised plastic
- Easy to install with minimal slate cutting
- Economically priced
- Aesthetically pleasing
- Terminal adaptor available



Roof void ventilation slate with free vent area of 10,000mm².

The base as supplied is a direct replacement for a 600 x 300 slate.

Where 500 x 250 slates are being used the moulded 25mm wide side bands are trimmed off and the inner set of fixing points used.

Minimal slate cutting involved in the installation. Manufactured in black UV stabilised plastic.

Suitable for high and low level ventilation.

Ubbink (UK) Ltd
Borough Road, Brackley, Northants NN13 7TB
Tel: 01280 700211 Fax: 01280 705332
e-mail: csd@ubbink.co.uk
web: www.ubbink.co.uk

Scottish Sales Office
34 Hawbank Road, East Kilbride G74 5EX
Tel: 01355 233848 Fax: 01355 220379
e-mail: scotsales@ubbink.co.uk