

AERFOAM

Insulated ductwork system | Bends & Fixing Parts

Features & benefits

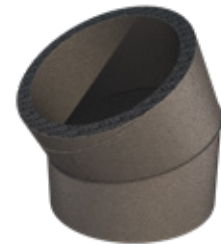
- Well-insulated
- Low pressure drop due to smooth inner surface
- Non-porous
- Airtight
- Doesn't rust
- Compact, mechanical connections (i.e. no tape or sealants required)
- Extremely light material
- Easy and safe to cut
- Pliable
- Impact resistant (i.e. no dents)
- Easy to dismantle for maintenance
- Zero carbon footprint
- BIM-ready



Specifications	
Material	EPE
Density	30kg/m ³
Heat transfer coefficient	0.041W/m.K (EN 12667)
Thermal resistance	R = 0.39m ² K/W
Temperature range	Min. -30°C Max. +60°C
Wall thickness	16mm
Fire class	B1 (DIN 4102)
Reaction to fire	Class E (EN 13501)
Function	Transport of air for ventilation and/or heating and/or cooling
Airtightness	D (EN 12237) = ATC 2 (EN 16798)
Colour	Grey
Material couplers and brackets	PP
Material Y-piece	EPP



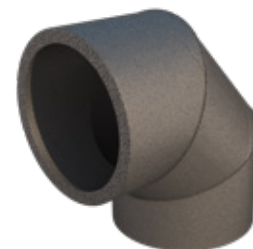
Bend 15°



Bend 30°

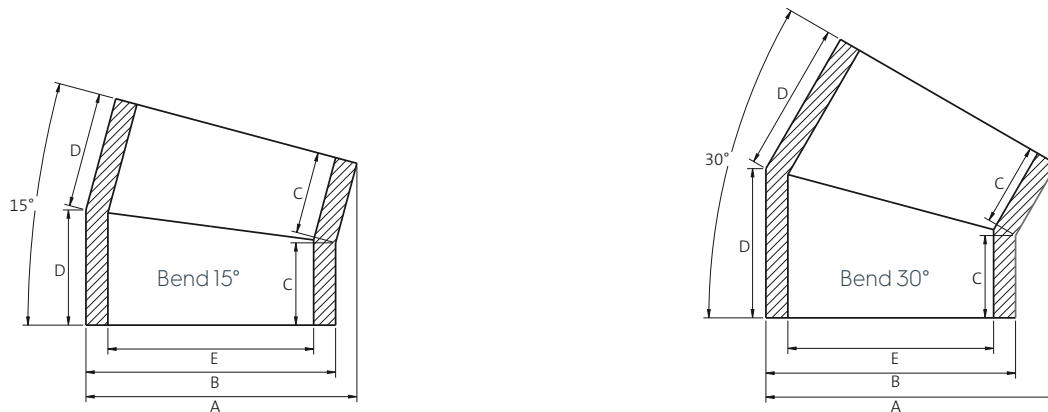


Bend 45°



Bend 90°

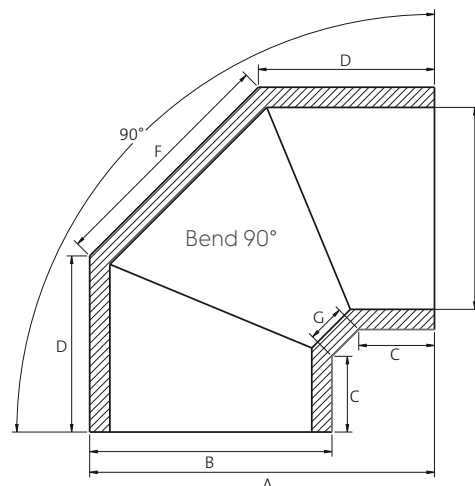
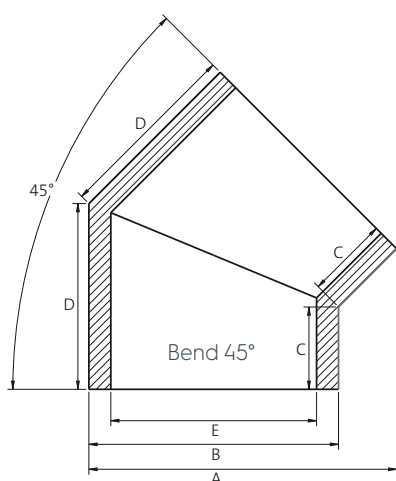
Technical details



Bend 15°				
	125	150	160	180
A [mm]	-	198	-	229
B [mm]	-	182	-	212
C [mm]	-	60	-	65
D [mm]	-	84	-	93
E [mm]	-	150	-	180
Zeta [-]	-	0,20	-	0,17
Qv (Volume) [m³/h]	Δp (Pressure loss) [Pa]			
100	-	1,0	-	1,0
200	-	1,2	-	1,0
300	-	2,7	-	1,1
400	-	4,7	-	1,9
500	-	7,4	-	3,0

Bend 30°				
	125	150	160	180
A [mm]	-	212	-	245
B [mm]	-	182	-	212
C [mm]	-	60	-	69
D [mm]	-	109	-	122
E [mm]	-	150	-	180
Zeta [-]	-	0,33	-	0,22
Qv (Volume) [m³/h]	Δp (Pressure loss) [Pa]			
100	-	1,0	-	1,0
200	-	2,0	-	1,0
300	-	4,4	-	1,4
400	-	7,9	-	2,5
500	-	12,3	-	3,9

Technical details



Bend 45°				
	125	150	160	180
A [mm]	199	224	235	258
B [mm]	157	182	192	212
C [mm]	60	60	60	65
D [mm]	125	135	137	153
E [mm]	125	150	160	180
Zeta [-]	0,53	0,49	0,46	0,40
Qv (Volume) [m³/h]	Δp (Pressure loss) [Pa]			
100	1,6	1,0	1,0	1,0
200	6,5	2,9	2,1	1,1
300	14,7	6,5	4,7	2,6
400	26,1	11,6	8,5	4,6
500	40,7	18,2	13,3	7,1

Bend 90°				
	125	150	160	180
A [mm]	238	263	274	298
B [mm]	157	182	192	212
C [mm]	60	60	60	65
D [mm]	125	135	140	153
E [mm]	125	150	160	180
F [mm]	159	181	189	206
G [mm]	30	30	30	30
Zeta [-]	0,88	0,85	0,85	0,84
Qv (Volume) [m³/h]	Δp (Pressure loss) [Pa]			
100	2,7	1,3	1,0	1,0
200	10,8	5,0	3,9	2,4
300	24,3	11,3	8,8	5,4
400	43,3	20,2	15,6	9,6
500	67,6	31,5	24,3	15,0

Coupling piece & Mounting bracket

Coupling piece				
	125	150	160	180
A [mm]	100	100	100	120
B [mm]	45	45	45	45
C [mm]	48	48	48	48
D [mm]	15	15	15	15
E [mm]	125	150	160	180

Mounting bracket				
	125	150	160	180
A [mm]	45	45	45	45
B [mm]	50	50	50	50
C [mm]	30	30	30	30
D [mm]	25	25	25	25
E [mm]	M8	M8	M8	M8
F [mm]	Ø 4,5	Ø 4,5	Ø 4,5	Ø 4,5



Coupling piece



Mounting bracket

