

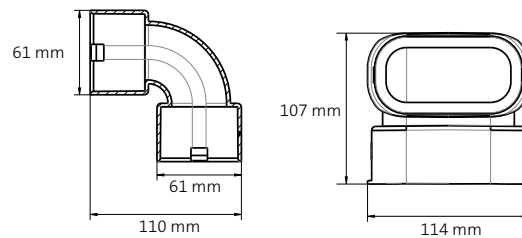
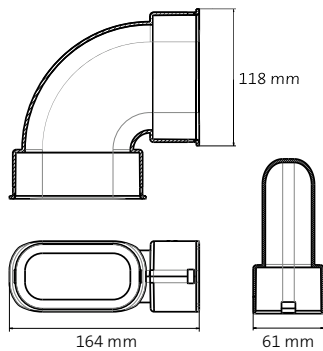
# AIR EXCELLENT

## AE35SC horizontal/vertical bends



ubbink

Build smart.



### Features & benefits

- Enabling tight, vertical or horizontal turns
- For installation into walls, floors and ceilings
- For semi-circular ductwork AE35SC (50 x 102 mm)
- Anti-static and anti-bacterial properties
- Made of virgin raw PP materials
- Part of the TÜV SÜD certified Air Excellent system

### AE35SC 90° horizontal bend

The horizontal bend is developed to make clear 90° turns to get around obstacles with a minimum of air resistance. The AE35SC duct is developed to lay out with a certain inclination but there will come circumstances where tight 90° bends are required.

### AE35SC 90° vertical bend

The vertical bend is developed to make clear 90° turns to get around obstacles and to move the installations from horizontal into vertical directions with a minimum of air resistance.

# AIR EXCELLENT

## AE35SC horizontal/vertical bends

### Technical details



	horizontal bend		vertical bend	
Zeta [-]	0,23		0,55	
Duct runs	1		1	
Qv [m³/h]	v [m/s]	Δp [Pa]	v [m/s]	Δp [Pa]
0	0,0	0,0	0,0	0,0
5	0,5	0,0	0,5	0,1
10	0,9	0,1	0,9	0,3
15	1,4	0,3	1,4	0,6
20	1,8	0,5	1,8	1,1
25	2,3	0,7	2,3	1,7
30	2,7	1,0	2,7	2,4
35	3,2	1,4	3,2	3,3
40	3,6	1,8	3,6	4,3
45	4,1	2,3	4,1	5,5
50	4,6	2,8	4,6	6,8
55	5,0	3,4	5,0	8,2